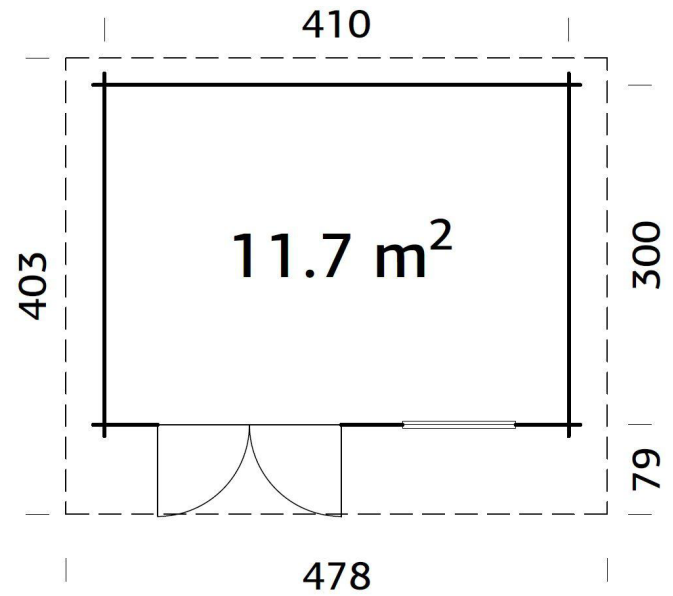


Idaho 3



FULL SPECIFICATION

	Wall Thickness	44mm		Roof Board	19mm
	Wall Measurements	410 x 300cm		Floor Boards	19mm
	Wall Height	222cm		Type Door/Window	Summer
	Total Height	244cm		Toughened Glass	
	Area	11.7m ²		Door, Opening Measurements	151 x 183cm
	Volume	26.7m ³		Pack Size	6 x 1.2 x 0.7m
	Roof Overhang	79cm		Pack Weight	1000kg
	Roof Area / Roof Gradient	18.6m ² / 2.2°			

FLEXIBLE FINANCE OPTIONS AVAILABLE

